



ROCK MARINE

CRAFTING SEA DREAMS



CRAFTING SEA DREAMS

 30<sup>®</sup>



CRAFTING SEA DREAMS



## YOUR SPORTY DAY CRUISER

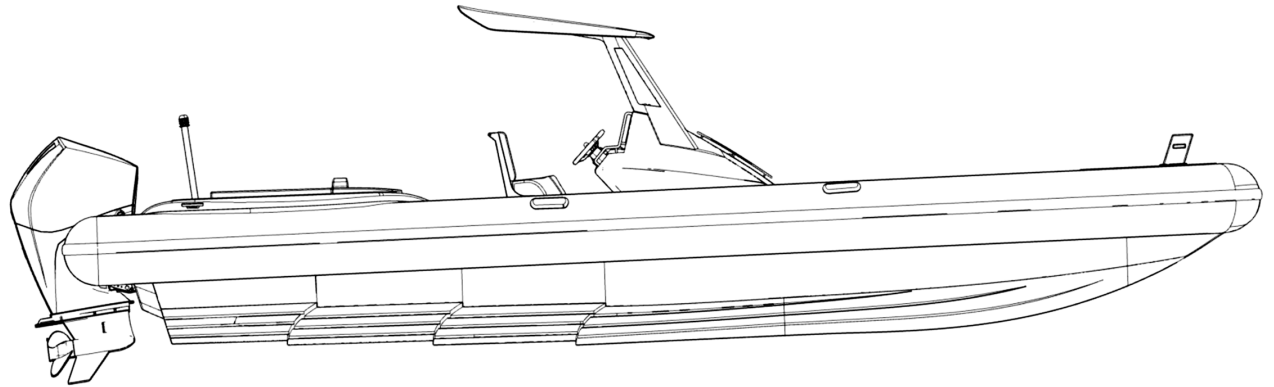
Rock Marine 30 is the RIB boat with the sporty character and the elegant heart. Designed for high-performance, speed and maneuverability, it offers you an exciting and dynamic boating experience while it travels you with style and comfort. Feel free to explore sandy beaches or hidden coves and infuse your day with endless joy!





## TECHNICAL SPECIFICATION

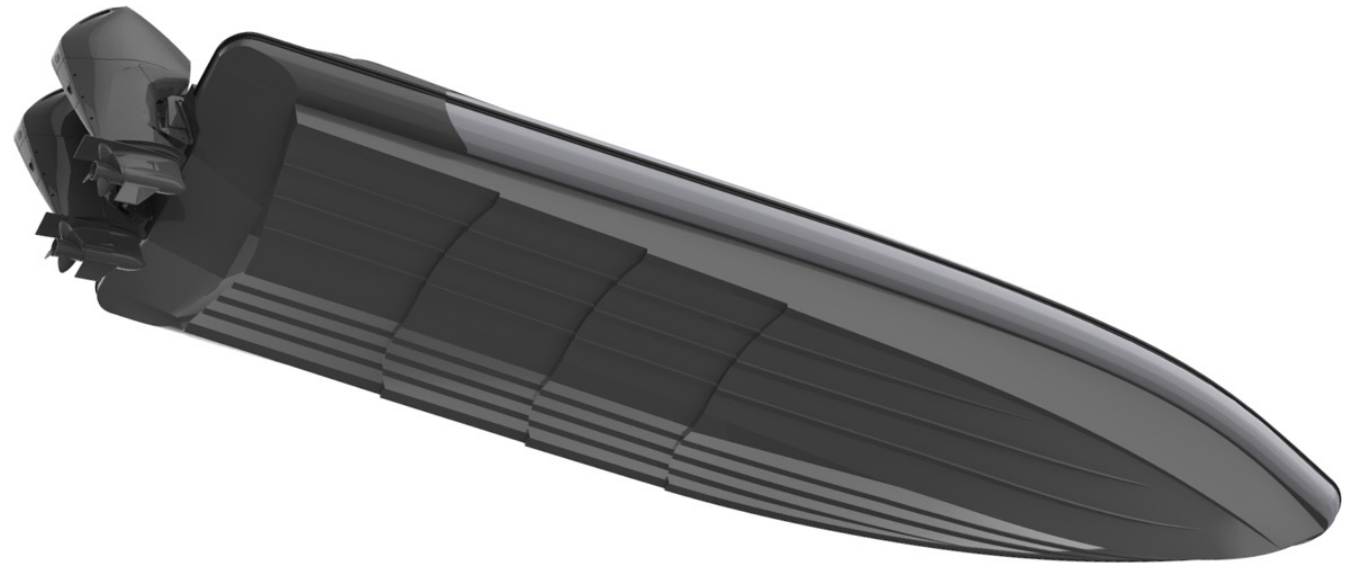
Length Overall	9.60 m
Beam	2.70m
Hull	DEEP V: 3 Steps
Hull Draft	45 cm
Light Ship Weight	Approx. 2,100 kg
Fuel Capacity	400lt
Water Capacity	65lt
Number Of Passengers	8
CE Category	B+C





## HULL

- Offers absolute control and an extremely smooth ride under all weather conditions
- Transom of 21°
- 3 ventilating steps for higher speeds and improved fuel efficiency
- Designed exclusively for outboard motors





## DECK

- In one word, the deck design ensures, versatility
- Ample seating and lounging space
- Sporty while cruising, enjoyable when at anchor





## THE HELM

- Highly ergonomic helm station
- Wide range of electronic equipment to suit every need
- Pilot and co-pilot seating with Ullman suspension seats for the ultimate ride







## THE CONSOLE

- Besides the highly ergonomic helm station, the console offers additional seating and storage space





## SWIMMING LADDER

- Large steps for comfortable boarding
- Pool-like handles





## SLEEK DESIGN

- Clear lines
- Sporty sleek T-Top





## EXTREME MANEUVERABILITY

Taking sharp turns will give you the feeling of a toy. Yet, a fast and capable one.





## Propulsion Options

- MERCURY
  - 2 X 225 V6
  - 2 X 250 V8
  - 2 X 300 V8
- YAMAHA
  - 2 X 250 V6
  - 2 X 300 V6

